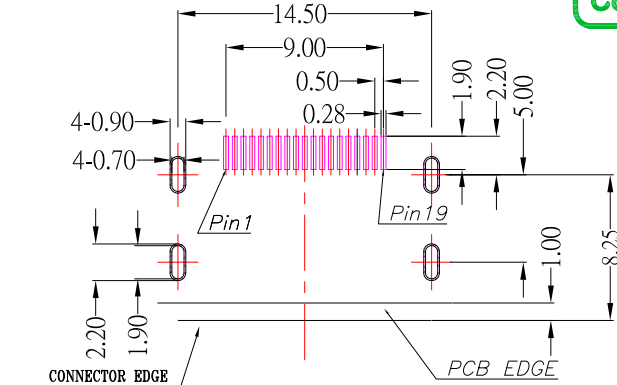


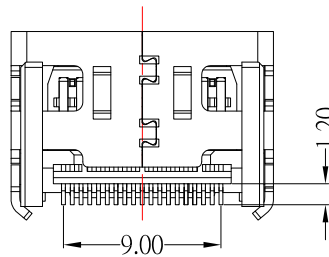
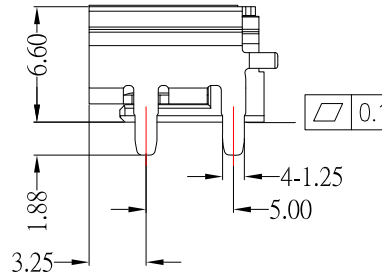
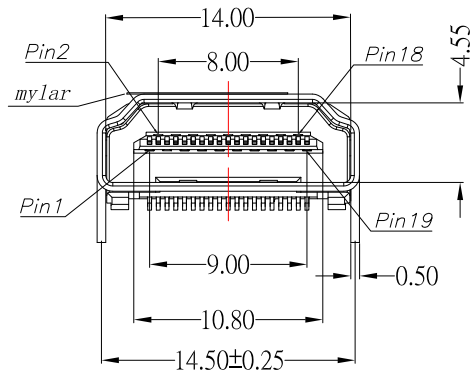
HDMI-19P-RV1-x-S165

鍍層厚度:

Blank	: 1u"
2	: 15u"
3	: 30u"



RECOMMENDED PCB LAYOUT (TOP VIEW)



NOTE:

1.MATERIAL:

- 1.1 HOUSING: LCP, BLACK
- 1.2 CONTACT: BRASS
- 1.3 SHEEL: BRASS

2.PLATING :

- 2.1 CONTACT: PLATED GOLD IN MATING AREA ;
TIN PLATED ON SOLDER BALLS ;
NICKEL UNDER PLATED OVERALL
- 2.2 SHELL: NICKEL UNDER PLATED SURFACE LAYER

3.MECHANICAL:

- 3.1 INSERTION FORCE: 4.5 Kgf MAX
- 3.2 WITHDRAWAL FORCE: 1.0 ~ 4.0 Kgf

4.ELECTRICAL:

- 4.1 RATING: 40V,0.5A
- 4.2 CONTACT RESISTANCE: 30 mΩ Max
- 4.3 INSULATION RESISTANCE: 100MΩ Min
- 4.4 DIELECTRIC WITHSTANDING VOLTAGE: 500V AC / minute
- 4.5 OPERATING TEMPERATURE: -25°C~ 85°C



TOLERANCE UNLESS OTHERWISE STATED:

Up to 5	±0.2
Above 5 ~ 15	±0.3
Above 15 ~ 30	±0.4
Above 30 ~ 50	±0.5
Angle	±0.3°

3RD. ANGEL'S



UNITS

MM

DRAWN BY:	DATE
Jack Lu	09/27/21
CHECKED BY:	DATE
Jacky Chen	09/27/21
APPROVED BY:	DATE
Tony Kao	09/27/21

MAT'L		TITLE	CONNECTOR
FINISH		MODLE	HDMI A TYPE FEMALE
SCALE	1 : 1	DWG NO.	HDMI-19P-RV1-x-S165
SHEET NO.	1 of 1	PART NO.	HDMI-19P-RV1-x-S165

ITEM NO.	DESCRIPTION	DRAWN	DATE